



# Education Department

ONE HUNDRED FIFTY-FOURTH  
**NEBRASKA STATE FAIR**

August 25 – September 4, 2023

Grand Island, NE

# Nothing More Nebraskan

The Education Department of the Nebraska State Fair invites all students who have completed Kindergarten through Grade 12 in the spring of 2023 to participate in the educational activities offered at the Nebraska State Fair. Students do not need to qualify at the County level to enter the State Fair.

Special Thanks to

**NEBRASKAland Foundation Inc.** for providing T-Shirts and for co-sponsoring the Statehood Day recognition event.

**Nebraska State Fair** for providing premiums, plaques, medallions, ribbons, and rosettes and for co-sponsoring the Statehood Day Recognition event.

---

**Email: [nsfeducationdept@gmail.com](mailto:nsfeducationdept@gmail.com)**

---

## New in 2023

- The Education Department will now be displayed in the Bosselman Conference Center found on the south side of Heartland Events Center.
- Wax Museum Division

## Important Dates

- Entry Deadline: Saturday, July 15, at midnight – NO LATE ENTRIES WILL BE ACCEPTED
  - Entry Forms and completed essays, poems, penmanship, and short stories.
- Exhibit Delivery: Friday, August 18, 4pm – 8pm and Saturday, August 19, 1 pm – 6 pm
  - They may also be delivered earlier that week by emailing [nsfeducationdept@gmail.com](mailto:nsfeducationdept@gmail.com) to set up a time or to the State Fair office before August 11.
- Exhibit Release: Monday, September 4, 6 pm - 8 pm.  
Tuesday, September 5, 8 am-noon

## Class Premiums and Overall Awards

Unless otherwise specified, awards given in each division of the various Education competitions will be.

Place	Ribbon	
1	Blue	\$100
2	Red	\$50
3	White	\$25
4	Pink	
5	Yellow	
Honorable Mention	Teal	
A student will receive a maximum of 1 t-shirt per year		
1 <sup>st</sup> Place Group Projects will receive a plaque to display at their school		

## Sweepstakes

These are based on a point system from static exhibits. 1<sup>st</sup> place – 5 points, 2<sup>nd</sup> place – 3 points, and 3<sup>rd</sup> place – 1 point.

The Know Nebraska Category B is a featured class this year and will offer double the points for the sweepstakes!

1st place - \$300

2<sup>nd</sup> place - \$200

3<sup>rd</sup> place - \$100

The first-place winner will then go in for a people's choice Overall Sweepstakes Winner receiving a plaque and their name engraved on a trophy that will be displayed each year during the fair. The voting will begin the fair's final weekend after all static events are complete. It will be a google form that you will use an email address to submit a vote.

## Department Rules

It's the Exhibitor's responsibility to be familiar with the [General Rules & Regulations](#) linked here which apply to all Nebraska State Fair open class departments of Competitive Exhibits and to the specific rules for each department.

### Additional Rules Specific to the Education Department are:

- Competing in the Education Department is limited to students enrolled in Nebraska schools and home schools.
- All exhibits must remain displayed until the scheduled release time or awards are forfeited.
- An erroneously entered exhibit may be transferred to the proper competition class.
- Each student will receive a maximum of one free admission ticket per competition day.
- If any exhibitor interferes with the judges in the performance of their duties by letter, act, or otherwise, he/she shall be excused from the competition and shall forfeit any awards received at this Fair.
- Any person, not exhibitor, who interferes with the judges during the performance of their duties shall be asked to leave the judging area, and the student(s) may be disqualified.

## Ticket Policy

Each competitor and each sponsor in an Education Department live competition requiring admission to the Nebraska State Fair will be given one complimentary gate admission ticket for each day the student is competing. Teachers will be asked to return all tickets for students who do not compete.

Exhibitors/competitors, parents, and sponsors may purchase Exhibitor Gate Tickets at a reduced price. A maximum of 5 exhibitor tickets per family is allowed. No refunds will be given on any unused or lost tickets. To purchase these tickets, go to <https://bit.ly/CEExhibitorTicket> and use password CVENT.

## How to Enter

Entry forms will be sent out as a google form and will also be available on the website. Any questions email [nseducationdept@gmail.com](mailto:nfeducationdept@gmail.com) Entry forms must be received by Saturday, July 15, midnight.

## Delivery of Exhibits

Essays, poems, penmanship, and short stories are due on Saturday, July 15<sup>th</sup>. Options of delivery include:

- USPS to Nebraska State Fair, PO Box 1387, Grand Island NE 68802
- UPS or FedEx to Nebraska State Fair, 501 E Fonner Park Rd Ste 200, Grand Island NE 68803
- Hand Delivery to the Nebraska State Fair, 501 E Fonner Park Rd Ste 200, Grand Island NE 68803 during normal business hours
- Emailed to [nsfeducationdept@gmail.com](mailto:nsfeducationdept@gmail.com)
  - If emailing penmanship to meet the July 15<sup>th</sup> deadline the original must be received by Saturday, August 19<sup>th</sup> by 6 pm

All other exhibits must arrive in the Education Department exhibit area by Saturday, August 19<sup>th</sup> by 6 pm.

Options for delivery of these exhibits are the same as those listed above except by email if they arrive by 6 pm Saturday, August 19<sup>th</sup>. The entries may also be delivered in person to the Education Department exhibit area between 1 pm and 6 pm Saturday, August 19<sup>th</sup>, or earlier in the week by emailing [nsfeducationdept@gmail.com](mailto:nsfeducationdept@gmail.com) to set up a time.

---

## Release of Exhibits

Early release is prohibited.

When picking up entries bring a list of your entries with you or a copy of your entry form. Check-in with a staff member and she or he will locate your entries and bring them to you.

Entries may be picked up on Monday, September 4<sup>th</sup> from 6 pm – 8 pm or Tuesday, September 5<sup>th</sup> from 8 am–noon in the Education Department. Exhibitors will select a pickup time for the Education Department only. Request a 15-minute time slot for every 15 entries. Time requests will be filled in the order that entry forms are received. Include your request for pick-up time with your entry form. Include a second choice as well. You will be notified of your time.

Exhibits not picked up during the above designated times must be retrieved from the Nebraska State Fair Office, 501 E Fonner Park Rd Ste 200, Grand Island, NE before Friday, October 27<sup>th</sup>, 2023. After that, they will be donated to charity.

## Live Competition Schedule

### Grades 3-8

Saturday, August 26

Event	Start Time	Location
Quiz Bowl	8:15 am (grades 6-8)	Fonner Park Triple Crown Room
Cup Stacking	10 am – 4:30 pm	Bosselman Conference Center
Construction Science	8:30 am – 4:30 pm	Fonner Park Clubhouse
Poetry Recitation	10:00 am (grades 6-8)	Bosselman Conference Center Stage
Poetry Recitation	Noon (grades K-5)	Bosselman Conference Center Stage
Cipher Down	2:15 pm – 2:45 pm	Fonner Park Clubhouse
Awards	4:30 pm **	Fonner Park Clubhouse

Sunday, August 27

Spelling	8:00 am – 8:30 am	Fonner Park Clubhouse
Math	8:30 am – 9:30 am	Fonner Park Clubhouse
Construction Science	8:30 am – 4:00 pm	Fonner Park Clubhouse
Cup Stacking	10:00 am – 4:00 pm	Bosselman Conference Center
Social Studies	9:45 am – 10:45 am	Fonner Park Clubhouse
Grammar	11:00 am – 12:00 pm	Fonner Park Clubhouse
Science	1:00 pm – 2:00 pm	Fonner Park Clubhouse
Cipher Down	2:15 pm – 2:45 pm	Fonner Park Clubhouse
Awards	3:00 pm **	Fonner Park Clubhouse

### Grades 9-12

Saturday, August 26

Spelling	8:00 am – 8:30 am	Fonner Park Clubhouse
Math	8:30 am – 9:30 am	Fonner Park Clubhouse
Construction Science	8:30 am – 4:30 pm	Fonner Park Clubhouse
Cup Stacking	10:00 am – 4:30 pm	Bosselman Conference Center
Social Studies	9:45 am – 10:45 am	Fonner Park Clubhouse
Grammar	11:00 am – 12:00 pm	Fonner Park Clubhouse
Science	1:00 pm – 2:00 pm	Fonner Park Clubhouse
Cipher Down	2:15 pm – 2:45 pm	Fonner Park Clubhouse
Awards	3:00 pm **	Fonner Park Clubhouse

## Grades 9-12

Sunday, August 27

Event	Start Time	Location
Quiz Bowl	8:15 am	Fonner Park Triple Crown Room
Cup Stacking	10:00 am – 4:00 pm	Bosselman Conference Center
Construction Science	8:30 am – 3:30 pm	Fonner Park Clubhouse
Poetry Recitation	10:00 am	Bosselman Conference Center Stage
Cipher Down	2:15 pm – 2:45 pm	Bosselman Conference Center Stage
Awards	4:30 pm **	Bosselman Conference Center Stage

\*\* Award times are approximate. Actual times will be determined when the results of tests are ready. However, the awards will not be presented earlier than the time stated above.

### Competition Themes

Poetry	Nebraska is My Kind of Place
Computer Graphics	Nebraska is My Kind of Place
Essay (Grades K-2)	Nebraska is My Kind of Place
Essay (Grades 3-5)	Nebraska is My Kind of Place
Essay (Grades 6-8)	Nebraska is My Kind of Place
Essay (Grades 9-12)	Nebraska is My Kind of Place
Brick Art & Photography & Nebraska Art	Nebraska is My Kind of Place

### Division 3301: 3-D Art Competition

#### Class

- 0101 Grades K-2
- 0102 Grades 3-5
- 0103 Grades 6-8
- 0104 Grades 9-12

1. Entry can be a sculpture or other piece of 3-dimensional artwork designed to sit on a table or shelf.
2. Any medium may be used. For example, paper mache, recycled materials, natural materials, pottery, weaving, glass, plastic, wood, and metalworking. No perishable food items may be used to make the art. If you have a question about whether a medium is acceptable, please email [nsfeducationdept@gmail.com](mailto:nsfeducationdept@gmail.com) and ask.
3. Entry should fit within a 12"x12"x12" space. If the piece your student is making is larger email [nsfeducationdept@gmail.com](mailto:nsfeducationdept@gmail.com) to see if the piece can be accommodated.
4. Judging Criteria:
  - Craftsmanship – media choice and honesty to media: realistic, expressive, idealistic, or abstract.
  - Use of Elements – line, shape, color, texture
  - Use of Principles – contrast, balance, etc.
  - Creativity – flexibility, uniqueness
  - Expression – content (theme, idea, etc.)
  - Neatness
5. Each student may enter up to three 3-D art items.
6. Label artwork with the student's name, grade, and school. Attach the label securely to the artwork with a string, twist-tie, address label, or rubber band.

## **Division 3302: Brick Art Competition – A “NEBRASKAland” Competition**

### Class

- 0201 Grades K-2
- 0202 Grades 3-5
- 0203 Grades 6-12

1. The entry will consist of a piece of art created from LEGO-type bricks following the theme: Nebraska is My Kind of Place. Anything that illustrates Nebraska is acceptable. Use your creativity!
2. The artwork may be a sculpture or a flat creation on a baseplate. No commercially designed kits may be used. For example, if a student chooses to build a tractor, it must be the student's design, not one created by a building toy company.
3. Each student may have two entries.
4. Entries will be judged on creativity, representation of the theme, neatness, and overall effect.
5. The student's name, grade, and school must be securely attached to the entry in some way.
6. The actual brick entries must be entered. To protect the entries, they will be displayed in a glass case at the fair.

## **Division 3303: Chalk Drawing Competition**

### Class

- 0301 Grades K-2
- 0302 Grades 3-5
- 0303 Grades 6-12

1. The entry will consist of a 4x6 picture of a chalk drawing done either at home or school.
2. The theme for chalk drawing is Whatever Your Flavor. The 2023 Nebraska State Fair has a flavor for everyone whether that be your favorite food, event, competition, shopping, animal, etc.

## **Division 3304: Cipher Down Competition**

### Class

- 0401 Grades 3-5
- 0402 Grades 6-8
- 0403 Grades 9-10
- 0404 Grades 11-12

1. Each competitor qualifies for a 2023 T-shirt (maximum of 1 per year) and a complimentary admission ticket to the state fair (maximum of 1 per day of competition).
2. The competition will take place in the Fonner Park Clubhouse after the other competitions on Saturday and Sunday, August 26 and 27. Students may compete once each day. The contest will end each day when awards from the other competitions during the day are ready to be presented.
3. Students will be given an age-appropriate problem to solve on a dry-erase board on the stage. The first person to arrive at the correct answer will be the winner. Students will compete in groups of two students.
4. Participants in each grade group will be assigned randomly.
5. The winners will receive a medallion.
6. Schools may enter any number of students.
7. Students HAVE to be entered by the July 15<sup>th</sup> deadline.

## **Division 3305: Class Science Project**

### Class

- 0501 Grades K-12

1. The entry will consist of a science project a school class completes. Some suggestions are egg drop, mousetrap vehicle, or catapult where groups of one or two students make a contraption and test it against the others in the class; a plant experiment, where each student does something different with the same type of plant.
2. Data is to be collected for each student or pair of students, recorded, and analyzed. Older students should include graphs.
3. Project is to be displayed on a tri-fold display board following the guidelines for Science Display. Photos are encouraged to further illustrate what was done.

- To rank the projects from a wide range of age groups, expectations for different grade divisions will be taken into consideration. Projects will be awarded points compared to a standard for the grade division and the project with the highest point total will be the champion.

### **Awards**

1 <sup>st</sup> Place	Plaque, \$100 grant to class
2 <sup>nd</sup> Place	\$50 grant to class
3 <sup>rd</sup> Place	\$25 grant to class
4 <sup>th</sup> -5 <sup>th</sup> Place	Ribbons

### **Division 3306: Computer Graphics Competition – A “NEBRASKAland” Competition**

#### Class

0601	Grades K-5
0602	Grades 6-12

- The theme is **Nebraska is My Kind of Place** The entry will be a computer-generated advertising campaign that promotes Nebraska.
- For grades 3-8 the entry will consist of one item selected from a, b, or c. For grades 9-12 the entry will consist of 2 items selected from a, b, or c.
  - A poster (8 ½ x 11)
  - A tri-fold brochure (8 ½ x 11 before folding)
  - A postcard mailer (5 ½ x 8 ½, a horizontal half sheet of 8 ½ x 11 paper) or a promotional card (4 ¼ x 11, a vertical half sheet of 8 ½ x 11 paper). Keep in mind that a postcard must have space for addressing the card on one side.
- All items should include text using available fonts. Photographs, clip art, or original artwork should be included.
- The items must be mounted on a half sheet or full sheet of 22" x 28" poster board. To mount the brochure, attach it to the center back, then attach a printout of the back as well. For the mailer and promotional card, print each side and attach it. These items should be printed with a computer printer and should not be commercially printed.
- The student's name, school, and grade must appear on the front of the poster board.
- Punch poster board for hanging according to instructions on page 30.
- Entries containing items that were entered in a previous year will be disqualified.
- The Nebraska State Board of Agriculture shall have the right to edit, publish, or otherwise duplicate any items entered the competition without payment to the student.

### **Division 3307: Construction Science Competition**

#### Class

0701	Grades 3-5
0702	Grades 6-8
0703	Grades 9-12

- Each entered competitor qualifies for a 2023 Education competitions t-shirt (maximum of 1 per year) and a complimentary admission ticket to the State Fair (maximum of 1 per day of competition).
- The students will be given 30 minutes to observe an object built from wooden pieces (like those manufactured by Kapla, Keva, and CitiBlocs). During this time the student will write instructions on how to build the object. The instructions must contain only words, no sketches. Pencils and paper will be furnished.
- The object will then be removed from the student's view and the student will be given the pieces needed to build the object. The student will then recreate the object using his/her written instructions. When finished, the student will submit the object and the instructions.
- Scoring will be based first on accuracy and secondly on the time taken to build the object. The writing portion time will not enter the scoring but may not exceed 30 minutes.
- The competition will be in the Fonner Park Concourse and will be available from 8:30 am until 3:30 pm (start time) on Saturday, August 26, and from 8:30 am to 3:00 pm (start time) on Sunday, August 27. Students may drop in to complete at their convenience during the given time range. Students can only compete on 1 of the 2 days.
- Schools may enter any number of students.
- Students HAVE to be entered by the July 15<sup>th</sup> deadline.



## **Division 3308: Cup Stacking Competition**

### Class

- 0801 Grades 3-5  
0802 Grades 6-8  
0803 Grades 9-12

1. Each entered competitor qualifies for a 2023 Education Competitions T-shirt (maximum 1 per year) and a complimentary admission ticket to the state fair (maximum 1 per day of competition).
2. Cup stacking involves stacking 12 plastic cups into specified pyramids and then unstacking the cups and putting them back into the original single stack of 12 cups. The cups will be provided so all students will be using the same type of cups. One website with video instructions on cup stacking is [http://www.speedstacks.com/about/learn\\_how.php](http://www.speedstacks.com/about/learn_how.php)
3. Students may compete anytime between 10:00 am and 4:30 pm on Saturday, August 26, or between 10:00 am and 4:00 pm on Sunday, August 27.
4. The cup stacking competition will take place in the Education Exhibit area in Bosselman Conference Center on both days.
5. Students will be allowed one practice run in addition to two timed runs. The times of both runs will be recorded, but only the best time will count, except in the case of ties between students, in which the second-best times will be used to break the tie.
6. The stacking event that will be used in 2023 is the Cycle. This cycle is a sequence of stacks in the following order:
  - 3-6-3 stack
  - 6-6 stack
  - 1-10-1 stack
7. Stacking Rules
  - Students may work from left to right or from right to left but must work in the same direction the entire time.
  - To down stack student must return to the first stack used to up stack
  - Students may have their hands on only one stack at a time in the up stack but in the down stack, it is okay to touch two stacks at the same time.
  - In the up-stack fumbles must be corrected immediately. Each previous stack must be standing before moving on. In the down stack if cups fall over continue and correct the fallen stack when it is reached.
8. The students with the best times in the 2 days will receive their awards during the final awards ceremony on Sunday, August 27.
9. Students HAVE to be entered by the July 15<sup>th</sup> deadline.

## **Division 3309: Essay Competition – A “NEBRASKAland” Competition**

### Class

- 0901 Grades K-2  
0902 Grades 3-5  
0903 Grades 6-8  
0904 Grades 9-12

1. The theme of the essays should be **Nebraska Is My Kind Of Place**
2. Essays should use good essay form with an introduction previewing three main points, followed by a discussion of the three points, and a conclusion summarizing the main points.
3. Judging criteria
  - Introduction
  - Topic Development
  - Word Choice
  - Sentence Fluency
  - Structure
  - Ideas
4. Schools may enter any number of essays but a maximum of 1 essay per student.
5. Each competitor must prepare his or her essay. Any quotations or copyrighted material used in the writing must be identified. Entry must be double-spaced, written in ink, or typed on one side of the page. Handwritten entries

must be legible. The student's name, school, and grade must appear on the front, top right-hand corner of the essay.

6. Essay Length
  - Grades K-2 shall have a minimum of 50 words and a maximum of 200 words.
  - Grades 3-5 shall have a minimum of 100 words and a maximum of 250 words.
  - Grades 6-12 shall have a minimum of 150 words and a maximum of 300 words.
7. The Nebraska State Board of Agriculture shall have the right to edit, publish, or otherwise duplicate any essay or poem entered in the competition without payment to the author.
8. Essays will not be returned.
9. All essays must be received by midnight Saturday, July 15.

### **Division 3310: Grammar Competition**

#### Class

- 1001 Grades 3-5
- 1002 Grades 6-8
- 1003 Grades 9-12

1. Each competitor qualifies for a 2023 Education Competitions T-shirt (maximum of 1 per year) and a complimentary admission ticket to the State Fair (maximum of 1 per day of competition).
2. Schools may enter any number of students in each division.
3. The competition will consist of an examination testing the student's knowledge of the correct usage of grammar. The students will not be asked to identify parts of speech.
4. Areas covered:
  - Grades 3-5: subject/verb agreement, plurals, verb tense, capitalization, possessiveness, correct word choice, sentence end punctuation
  - Grades 6-8: all the above plus commas, colons, and semicolons.
  - Grades 9-12: all the above
5. The competition for Grades 3-8 will be held on Sunday, August 27 at 10:45 am in the Fonner Park Clubhouse. The competition for Grades 9-12 will be held on Saturday, August 26 at 10:45 am in the Fonner Park Clubhouse.
6. The test will be timed. Tests will be graded directly after the competition. Rankings beyond 5<sup>th</sup> place will not be disclosed. Awards will be presented at the end of the day after tests from all the competitions have been graded. Tests will not be returned.

### **Division 3311: Group Art Competition**

#### Class

- 1101 Grades K-2
- 1102 Grades 3-5
- 1103 Grades 6-12

1. Groups of three or fewer students will be judged with individual art entries and scholarship money awarded will be divided evenly among the students in the group.
2. Students may be part of more than one age group.
3. The entry will consist of a 2-dimensional or 3-dimensional piece of art.
4. Entries will be judged on creativity, artistic quality, and overall effect.
5. The names of all students involved in the project, their grades, and their schools must be attached to the entry so it can be visible from the front. The artwork will be judged in the age group of the oldest student in the group. Students need not all be from the same school.
6. Contact [nsfeducationdept@gmail.com](mailto:nfeducationdept@gmail.com) if entry requires space greater than 2 feet by 2 feet by 2 feet.

#### **Awards**

- 1<sup>st</sup> Place            Plaque, ribbon, \$100 grant
- 2<sup>nd</sup> Place            Ribbon, \$50 grant
- 3<sup>rd</sup> Place            Ribbon, \$25 grant
- 4<sup>th</sup>-5<sup>th</sup> Place        Ribbons

## **Division 3312: Health Competition**

### Class

- 1201 Grades K-5  
1202 Grades 6-12

1. The entry will consist of a 14" x 22" poster (half sheet of standard poster board). The poster may be designed in either a vertical or horizontal format.
2. The poster should present a message promoting health. It can relate to any aspect of health such as healthy eating, eye health, hygiene, dental health, exercise, abstinence from tobacco, drugs, and alcohol, etc. The purpose of a poster is to call attention to a subject. The poster must focus on only one idea.
3. Poster should have an eye-catching illustration and a message in words. The illustration can be either hand-drawn, clipart, or a photograph printed from a computer. The poster itself should not be printed from the computer. Computer-generated posters are entered in Computer Graphics.
4. Poster should convey the message in as few words as possible between 7-10 words. Let the illustration do the talking. Do not put lists of health tips. Try to create a catchy phrase.
5. Any medium can be used: crayons, markers, computer graphics, ink, watercolor, paint, cut paper, stick-on letters, etc. The poster must be flat and not have any 3-dimensional objects attached.
6. Judging Criteria:
  - Idea: simple, clear message, appropriate for a poster
  - Lettering: appropriate size in proportion to the art, spaced evenly, all letters at least ½ inch from all edges of the poster, readable from a distance, neatly done, and easy to read
  - Arrangement: makes good use of the entire poster space without being too crowded
  - Color: use of bold and contrasting colors, neon-bright colors are generally not appropriate
  - Quality of Construction: neatly done, pencil marks erased, no visible glue, etc.
  - Completeness: poster contains both lettering and illustration(s)
  - Overall Effect: eye-catching
7. Place the student's name, grade, and school on the front of the poster board. This information does not count as part of the word total.
8. Punch poster for hanging according to directions on page 30.
9. The Nebraska State Board of Agriculture shall have the right to edit, publish, or otherwise duplicate any items entered in the competition without payment to the student.

## **Division 3313: History Board Competition**

### Class

- 1301 Grades K-5  
1302 Grades 6-12

1. The entry will consist of a tri-fold display board illustrating some person or event in history.
2. The display board should have eye-catching illustrations and/or photos and messages in words.
3. Include who is featured (if a person), what (if an event), where, where, and why.
4. Judging Criteria:
  - Completeness: display thoroughly covers the person or event in history
  - Arrangement: makes good use of the entire space without being too crowded
  - Quality of Construction: neatly done, pencil marks erased, no visible glue, etc.
  - Color: display is colorful and attractive
  - Illustrations: enough photos and/or illustrations to attract interest and visibly present the topic, but not so many as to overpower the message being presented
  - Overall Effect: eye-catching, making fairgoers want to view and read the display.
5. Place the student's name, grade, and school on the front of the display board.
6. The display board can be completed by an individual student or by a team of two. If two students work together any awards won will be divided evenly.
7. The Nebraska State Board of Agriculture shall have the right to edit, publish, or otherwise duplicate any items entered in the competition without payment to the student.

## **Division 3314: Illustrated Book Competition**

### Class

- 1401 Grades K-5  
1402 Grades 6-12

1. The entry will consist of a book with illustrations, a story, and a cover.
2. Book Criteria
  - Grades K-2: at least 3 illustrations and at least 5 pages total
  - Grades 3-12: at least 5 illustrations and at least 10 pages total

These are minimum requirements books can be as long as the student needs to tell the story.
3. It is acceptable for one student to write the story and another student to illustrate it. If the author and illustrator are two different students, any award received will be divided equally.
4. In addition to the story, each book should contain an "about the author" page or pages if more than one student. This page does not count in the total mentioned above. The about the author page can tell such things as the author's age, school, hometown, family, pets, favorite activities, etc.
5. The book can be a true or fictional story or a report. Some ideas for reports are dogs, Nebraska flowers, state flags, vegetables, farm machines, camping, grasshoppers, turtles, cows, Nebraska seasons, Nebraska landmarks, Nebraska crops, etc.
6. The cover can be hardcover or card stock. The book and cover can be made by the student, or the students may use a purchased blank book. Blank books can be found online or at some craft stores.
7. The book is to be the work of the student and not commercially printed. Books for students in grades K-2 should be hand-printed. Older students may use a computer to print the pages. If using a purchased book, students can neatly trim their hand-printed or computer-printed pages and glue them onto the book pages.
8. The Nebraska State Board of Agriculture shall have the right to edit, publish, or otherwise duplicate any items entered in the competition without payment to the student.

## **Division 3315: Know Nebraska Competition – A "NEBRASKALand" Competition**

### Class

- 1501 Grades K-5 Story From the Past  
1502 Grades 6-12 Story From the Past  
1503 Grades K-5 Visit Nebraska  
1504 Grades 6-12 Visit Nebraska  
1505 Grades K-5 Nebraska Art  
1506 Grades 6-12 Nebraska Art  
1507 Grades K-5 Paper Quilt Block  
1508 Grades 6-12 Paper Quilt Block  
1509 Grades K-5 Photography  
1510 Grades 6-12 Photography  
1511 Grades K-5 Other  
1512 Grades 6-12 Other

1. Competitors will be grouped into various divisions depending on category and entry numbers.
2. The following categories will be offered: Divisions K-5 and 6-12 for all.
  - a. Story from the past – Maximum of two (2) entries per student in this category. Relate a story from the childhood of a person who is at least 40 years older than you. Ask him or her about a memorable event from his/her childhood such as the first day of school, high school graduation, a family camping trip, a family vacation, a favorite pet, a holiday celebration, battling a blizzard, getting their driver's license, a competition entered, an injury or illness, etc. No minimum words. Maximum 2,000 words.
  - b. Visit Nebraska – Maximum of two (2) entries per student in this category. Visit a place in Nebraska with Agricultural Roots and have someone take a photo of you in front of this place. Pick up a brochure of the place if there is one. Mount the photo and brochure on an 11x14 sheet of poster board, along with a few words describing the place and where it is. Explain how this place relates to agriculture and the impact it has on you. You might also include what you like about the place, why you chose to go there, etc.
  - c. Nebraska Art – Maximum of three (3) entries per student in this category. Art may be 3-dimensional, or wall art. The theme is Nebraska is My Kind of Place. Wall art and 3-dimensional art should follow the submission guidelines of the 3-dimensional art and wall art categories.

- d. Paper Quilt Block – Maximum of four (4) entries per student in this category. If each block has a different pattern. Make a paper quilt block using an original pattern or one found in a book, online, or on a real quilt. Cut the pieces from the paper and glue them onto an 8 ½” or 9” square of paper. Suggested paper for the block pieces includes copier paper, construction paper, wallpaper, wrapping paper, or scrapbook paper. Each block should be labeled with the student’s name, grade, and school. Blocks should be mounted on a half or a full sheet of 22”x28” poster board. Blocks from more than one student can be mounted on the same board if they are in the same division. Punch holes in the poster board following directions on page 30.
- e. Photography – Maximum of four (4) entries per student in this category. Photos must represent Nebraska. Buildings, landmarks, animals, and landscapes are all acceptable. Photos will be judged on the quality of the photo and the relevance of the theme Nebraska is My Kind of Place. Photos should be 8”x10” and mounted on a half or a full sheet of 22” X28” poster board. Multiple photos may be mounted on the same board if the photographer of each photo is identified. Photos may be black and white or in color. Printing from a computer is fine. Commercial printing is NOT necessary. Punch holes in the poster board following directions on page 30.
- f. Other – Maximum of two (2) entries per student in this category. Any project showing Nebraska History that does not fit in Categories a-e.

### **Division 3316: Mathematics Competition**

#### Class

1601	Grades 3-5
1602	Grades 6-8
1603	Grades 9-12

1. Each competitor qualifies for a 2023 Education Competitions T-shirt (maximum 1 per year) and a complimentary admission ticket to the State Fair (maximum of 1 per day of competition).
2. The competition will be divided into three divisions with the following topics:
  - Grades 3-5: Addition, subtraction, multiplication, division, fractions, decimals, and percentages
  - Grades 6-8: Math computations, pre-algebra, and algebra
  - Grades 9-12: Algebra, geometry, trigonometry, probability, combinatorics, and number theory

Note: All exams may have questions where the work to attain the answer must be shown and will be graded. The problems will draw from any area of mathematics that the student has been exposed to up to this point of his/her education but will not include calculus.

3. No calculators will be allowed.
4. The test will be timed. Tests will be graded directly after the competition. Rankings beyond 5<sup>th</sup> place will not be disclosed. Awards will be presented at the end of the day when tests from all the competitions have been scored. Tests will not be returned.
5. The competition will take place on Saturday, August 26 for Grades 9-12 and on Sunday, August 27 for Grades 3-8. The testing will take place in the Fonner Park Clubhouse. All competitors should be at the testing area by 8:00 am on their respective days. The tests will begin at 8:15 am.

### **Division 3317: Penmanship Competition – A “NEBRASKAland” Competition**

#### Class

1701	Grades K-2
1702	Grades 3-5
1703	Grades 6-8
1704	Grades 9-12

1. Students in Grades K-2 must use hand printing. Students in Grades 3-12 must write in cursive. If students in Grades K-2 know how to write in cursive, they are welcome to enter both the Grades K-2 and Grades 3-5 Competition.
2. Paper for all divisions should measure 8 ½” x 11” and have no decorations or holes for binders.
  - Grades K-2 may use paper with a dashed middle line to help in the uniform printing of letters.
  - Grades 3-8 lined penmanship paper is preferred but the unlined paper is acceptable. If penmanship paper is not available paper from an 8 ½” x 11” white legal pad works. Such paper can be found in many stores

carrying office supplies including discount stores like Walmart. Lined penmanship paper can also be printed from the internet. Paper with a dashed center line and colored paper are not acceptable.

3. For students in Grades K-2 a pencil is recommended. Students in Grades 3-12 must use blue or black ink. A Ballpoint pen is recommended, not a felt tip or fountain pen.
4. The entry should not be mounted on construction paper, poster board, or any other material.
5. Entries for Grades 3-12 must be single-spaced.
6. Judging criteria includes:
  - Correct formation of letters
  - Even spacing between letters, words, and lines
  - Appropriate margins (at least ½ inch on all sides of the paper)
  - Adherence to one method of writing
  - Exactness to excerpt presented (punctuation, no omitted words, no misspelled words, etc.)
  - Overall neatness
7. Schools may have any number of entries in penmanship but a maximum of one entry per student will be accepted.
8. Students' names, grades, and schools must appear on the front top right-hand corner of the entry. This information should not be a sticky label attached to the entry, but rather handwritten by the student directly on the paper.
9. Excerpts
  - Grades K-2
    - i. Cornhusker begins with the letter C. It's the nickname of our state. And for the crops and cattle, that make this land so great.
  - Grades 3-5
    - i. The mammoth is Nebraska's state fossil and one of the largest mammoths ever discovered was found in Nebraska. "Archie" is on display at the State Museum in Lincoln and stands over 15 ½ feet tall!
  - Grades 6-8
    - i. Each spring the skies of Nebraska dance alive with the amazing sights and sounds of the world's largest gathering of sandhill cranes. Eighty percent of the world's population, approximately 500,000 birds, make the migratory journey from Mexico and the southern United States to the northern parts of Canada, Alaska, and Siberia.
  - Grades 9-12
    - i. In 1867, soon after becoming the 37<sup>th</sup> state in the Union, the capital of Nebraska was renamed Lincoln to honor the recently assassinated President Abraham Lincoln. When completed in 1932, the majestic capital building, described as the Tower of the Plains, was the first in the nation designed as an art deco skyscraper and it has been called a "modern architectural wonder." The gold-glazed 400-foot tower is topped by a 19-foot statue of The Sower, scattering the seeds of agriculture, life, hope, and prosperity.

### **Division 3318: Poetry Competition – A "NEBRASKAland" Competition**

#### Class

- |      |             |
|------|-------------|
| 1801 | Grades K-2  |
| 1802 | Grades 3-5  |
| 1803 | Grades 6-8  |
| 1804 | Grades 9-12 |

1. The theme of the poetry for all divisions is Nebraska is My Kind of Place.
2. Length
  - Grades K-2 shall have a minimum of 50 words and a maximum of 200 words.
  - Grades 3-5 shall have a minimum of 100 words and a maximum of 250 words.
  - Grades 6-12 shall have a minimum of 150 words and a maximum of 300 words.
3. Each competitor must prepare his or her poem. Any quotations or copyrighted material used in the writing must be identified. Entry must be double-spaced written in ink or typed on one side of the page. Handwritten entries must be legible. The student's name, school, and grade must appear on the front top right-hand corner of the poem.
4. Judging Criteria:

- Introduction
  - Topic development
  - Word choice
  - Structure
  - Ideas
  - Fluency
  - Organization
  - Overall effect
5. Schools may enter any number of poems, but a maximum of one poem per student.
  6. The Nebraska State Board of Agriculture shall have the right to edit, publish, or otherwise duplicate any poem entered in the competition, without payment to the author. Poems will not be returned to schools or competitors.

### **Division 3319: Poetry Recitation Competition**

#### Class

- 1901 Grades K-5  
1902 Grades 6-12

1. Each competitor qualifies for a 2023 Education Competitions T-shirt (maximum 1 per year) and a complimentary admission ticket to the State Fair (maximum of 1 per day of competition).
2. Students in Grades 9-12 must select a poem of at least 8 lines from Poetry Outloud ([poetryoutloud.org](http://poetryoutloud.org)). Students in Grades K-8 may choose any poem that is between 8 and 25 lines. It does not need to come from Poetry Outloud.
3. The poems must be memorized. There will be a prompter to assist the student if necessary; however, points will be deducted each time the speaker requests a prompt. Prompter will be seated in the front row. The speaker must signal the prompter if a prompt is wanted.
4. No props or costumes are allowed.
5. Judging will be based on the following with the maximum points for each in parentheses.
  - Physical presence (6)
  - Voice and articulation (6)
  - Dramatic appropriateness (6)
  - Level of complexity (6)
  - Evidence of understanding (6)
  - Accuracy (8)
  - Overall performance (10)
6. Accuracy points will be deducted as follows:
  - Skipping a word, adding a word, using “a” for “the”, juxtaposing two words (1 point deduction)
  - Pluralizing a word or vice versa, using a synonym (1 point deduction)
  - One line out of order or repeating a line (2-point deduction)
  - Skipping a line, receiving a prompt (3-point deduction)
  - Reversing two stanzas (5-point deduction)
  - Skipping a stanza (6-point deduction)
7. Recitation of poems should be preceded by stating the title of the poem and its author.
8. Students should bring four copies of the poem with them on competition day for the judges and the accuracy judge and prompter.
9. The competition for Grades 6-8 will take place on the Bosselman Conference Center stage following the conclusion of the round-robin round of Quiz Bowl at approximately 10 am on Saturday, August 26. Grades K-5 will take place on the Bosselman Conference Center stage at noon on Saturday, August 26. The competition for Grades 9-12 will take place on the Bosselman Conference Center stage following the conclusion of the round-robin of the Quiz Bowl at approximately 10 am on Sunday, August 27.

## **Division 3320: Quiz Bowl Competition**

### Class

- 2001 Grades 6-8  
2002 Grades 9-12

1. The coaches' meeting starts at 8:00 am with the competition scheduled to begin at 8:15 am both days. Teams will be paired at random and competition times will be assigned after check-in. The size of the school will not be a consideration in the draw for pairings. No late check-ins will be allowed.
2. Schools may enter any number of teams. Each team must have its own sponsor. The sponsor(s) of the additional team(s) can be a parent or another teacher. Sponsors must attend the rules meeting at check-in and must stay with the students throughout the competition or the team will be disqualified.
3. Teams will consist of exactly four students: a captain and three members. Alternate players (maximum of 2) are allowed, but no substitutions may be made during a match. Alternate players may enter play only at the beginning of a new match. The players on each team do not need to be from the same school, but each student may be a member of only one team.
4. The moderator will read the question and recognize the team that will answer the question. A scorekeeper, timekeeper, and tournament judge will also be present.
5. The State Fair Quiz Bowl will consist of round-robin play. Round-robin schedules will be provided after all teams have checked in.
6. Each game will consist of 30 questions (total toss-up and bonus) unless the game time limit is reached. In the event of a tie at the end of a round, a toss-up question will be used as a tiebreaker. The first team to correctly answer a tiebreaker toss-up question will win the game.
7. Two types of questions are used during a match: toss-up and bonus. Points are scored by correctly answering a question. A correct answer to a toss-up question is worth 10 points and a correct answer to a bonus question is worth 5 points.
8. After the toss-up question is given, 10 seconds will be allowed for any team to respond. To answer a toss-up question, a player must be the first to signal by pushing his/her signal switch of the electronic control system. There may not be any conferring among team members during a toss-up question response. If there is a conferring, the team will be disqualified from that question.
9. The toss-up process consists of four (4) parts: the question, the signal, the recognition of the player by the moderator, and the answer. If a player answers without either of the two middle parts, the answer is treated as an incorrect answer. The player must wait until he/she is acknowledged by the moderator before answering.
10. A team member giving a correct toss-up answer entitles the team to a bonus question. The team members have 20 seconds to confer on bonus questions before the answer is given. The answers to bonus questions must be given by the team captain. Answers from other team members will not be acknowledged by the moderator unless the team captain specifically requests that another team member be allowed to answer.
11. When a player gives an incorrect answer to a toss-up question and the question has not been completely read, the question will be read again in its entirety and the other team will have 10 seconds to answer by the normal sequence of signaling, being recognized, and answering. If neither team gives the correct answer, the next question will be read.
12. No calculators or resource material may be used during the competition. Paper and pencils will be provided. The reader will tell students which questions will allow the use of pencil and paper.
13. Decisions of the tournament judge will be final. The official declaration of the outcome of the match shall be irrevocable. As in any contest, a match shall not be replayed – even if the outcome could have been altered by judgment errors.
14. If a team feels that a challenge is necessary, the team captain is the only one who may make the challenge and must make the challenge at the time of the answer (before the next question is given). Make certain that all challenges are legitimate as each challenge lengthens the day. There shall be no questions raised by anyone except the team captain, moderator, or officials. The decision of the judge will be final.
15. Violations of the rules (such as consulting after pressing the signal button, or blurting out an answer before being recognized) will disqualify a team on that question and
  - On the toss-up question the other team will be allowed to answer the question for the full point value
  - On the bonus questions, no points will be awarded.
16. In the case of equipment malfunction, it shall be the judges' discretion to modify the timing and/or signaling.
17. The tournament schedule, format, and rules are subject to change. All changes will be announced.



## **Awards**

1 <sup>st</sup> Place team members	\$100 scholarship and ribbon, and the team will receive a plaque.
2 <sup>nd</sup> Place team members	\$50 scholarship and ribbon
3 <sup>rd</sup> Place team members	\$25 scholarship and ribbon
4 <sup>th</sup> Place team members	Ribbons

Note: Up to five members of each of the top four teams will receive ribbons. If there are more than four team members, the scholarship money will be divided evenly among the team members. For example, if there are five members on the first-place team all five members will receive \$80 each (\$400 first-place team award divided by 5).

## **Division 3321: Scherenschnitte Snowflake Competition**

### Class

2101	Grades K-2
2102	Grades 3-5
2103	Grades 6-8
2104	Grades 9-12

1. The entry consists of a snowflake cut from paper. The snowflake can be any size from a 3" diameter to a 12" diameter. For cleaner cuts and easier manipulation of scissors, it is suggested that students use paper no heavier than copy/printer paper. Tissue paper is also acceptable and is easier to cut than printer paper.
2. Snowflakes may be cut using a scherenschnitte pattern or freehand from folded paper.
3. Snowflakes, like all snowflakes in nature, should be six sides, not square.
4. Snowflakes should not be mounted on poster boards as they will be displayed individually.
5. Snowflakes are to be submitted individually, each in its own plastic page protector. To identify the artist, include a piece of paper containing the student's name, grade, and school with the snowflake in the page protector. Snowflakes will be displayed in the page protectors and the page protectors will be returned to the students with their snowflakes.
6. Each student may have three (3) entries in this category. There is no limit on the number of entries from a school.

## **Division 3322: Science Competition**

### Class

2201	Grades 3-5
2202	Grades 6-8
2203	Grades 9-12

1. Each competitor qualifies for a 2023 Education Competitions T-shirt (maximum 1 per year) and a complimentary admission ticket to the State Fair (maximum of 1 per day of competition).
2. The focus of each competition will be as follows:
  - Grades 3-5: the solar system, pre-historic life, weather, measurements, magnetism, and recycling
  - Grades 6-8: maps and orienteering, genetics, scientific research, measurements, electricity, and chemistry
  - Grades 9-12: biology, physical science, chemistry, physics, anatomy, and physiology
3. Schools may enter up to 12 students per grade in all divisions.
4. The competition will be held on Saturday, August 26 for Grades 9-12 and on Sunday, August 27 for Grades 3-8. The location is the Fonner Park Clubhouse. The test will begin at 1:00 pm both days.
5. The test will be timed. Tests will be graded directly after the competition. Rankings beyond 5<sup>th</sup> place will not be disclosed. Awards will be given after the completion of the grading of all exams for the day. Tests will not be returned.
6. The test key answers will be the only answers considered. Answers requiring labels must be labeled.

## **Division 3323: Science Display Competition**

### Class

2301	Grades K-5
2302	Grades 6-8
2303	Grades 9-12

1. Students may enter either a traditional science display or a science invention. Both entries must be entered on a tri-fold display board showing what was done. Note that the invention must be a scientific invention.
2. Traditional projects will be judged on the student's ability to utilize and show inquisitiveness, experimentation, and interpretation of results. Projects should formulate an idea, and show investigative research, experimentation, and data gathered. The results of the research should be displayed. Clarity is a must and originality is a plus. Make certain that the project is the work of the entrant and is age appropriate. Include and label the hypothesis, procedure, data, and conclusion. Also, list research sources if you have any.
3. A student-built apparatus or invention must include evidence of research, how the idea was formulated, detailed plans and sketches for the invention, and what problem the invention will help solve.
4. In both types of projects please include the following:
  - State how you thought of the project.
  - If operational, include instructions.
  - Mention all the people who assisted and their roles.
  - Label the project with the student's name, grade, and school on the front of the project
5. Different rubrics will be used for judging each type of project; however, a project following the steps of scientific research and an invention will neither have any advantage over the other in judging.
6. Each student may enter only one individual project and one "partner" project.
7. Projects must not occupy an area larger than 3 ft tall x 2 ½ ft wide x 1 ½ ft deep. Projects can be smaller than the maximum size.
8. Whatever is displayed when the project is set up for judging should be able to remain throughout the duration of the fair. Example 1: Do not include any perishable food items. If the project involves a concept such as the growth of mold, show the process with photos. Example 2: Do not bring any valuable items that might get broken or stolen. Instead, show with photos. Example 3: Do not bring any liquids in open containers that could tip over and make a mess.
9. Projects are to be the work of the student. Parents or teachers of younger students can help with typing and preparing a tri-fold display, but the display should then include a statement of what help the student received. Typing is not necessary for the display. It is perfectly acceptable for younger students to print the information by hand.

## **Division 3324: Group Service Project Competition**

### Class

2401	Grades K-8
2402	Grades 9-12

1. If members of a group fall into more than one age division, the project will be judged in the age division of the oldest member of the group.
2. Entries should be presented on a 3-dimensional standard science display board.
3. The entry should focus on some project the group did to meet a community's needs. The project must be self-initiated and not designed for the purpose of fulfilling requirements for an award.
4. State how many hours of this project were used to meet your school's community service requirements if any.
5. State who was involved with the project. Group projects should list all team members as well as an adult sponsor(s). For example, if a parent provided transportation or constructed something for the project, say so. If friends helped, tell how many helped and how much time they contributed. Having help does not diminish the value of the project, but rather gives the judge a clearer picture of the scope of the project.
6. Display should include:
  - At least one photo of the project, more are preferred.
  - Newspaper clippings if your project had news coverage.
  - Item made if your project involved making something.

- Answers to the following questions (either in a typewritten description or displayed separately on the board)
  - Where did you get the idea for the project?
  - When do you start it?
  - Has the project been concluded or is it ongoing?
  - What need was met in your community?
  - What was your goal in doing your project?
  - What was your impact? For example, if you collected items, how many did you collect? If you raised money, how much did you raise? If you taught something, how many people did you teach?
  - How many people were reached by your project?
  - What was your time commitment? For example, the number of hours you spent taking nursing home residents for walks or collecting and delivering DVDs for children’s hospitals.

**Awards**

1 <sup>st</sup> Place	Plaque, \$200 grant to continue service project.
2 <sup>nd</sup> Place	\$100 grant to continue service project.
3 <sup>rd</sup> Place	\$50 grant to continue service project.
4 <sup>th</sup> –5 <sup>th</sup> Place	Ribbons

**Division 3325: Short Story Competition**

Class	
2501	Grades K-2
2502	Grades 3-5
2503	Grades 6-8
2504	Grades 9-12

1. The word limit for Grades K-8 is 1,500 words. Younger students are not expected to use that many words. If they can tell a complete story in 50 words that is acceptable. The word limit for Grades 9-12 is 2,000 words. There is no lower limit.
2. There is no specified theme for short stories.
3. Short stories should be printed on one side of the paper only. The student’s name, grade, and school must appear on the upper right side of the first page and the student's name should appear on each additional page. Grades 6-12 must be typed. Grades K-5 may be handwritten or typed. Please do not staple pages together.
4. Each student may have two entries in this category.
- 5.

**Division 3326: Social Studies Competition – A “NEBRASKALand” Competition**

Class	
2601	Grades 3-5
2602	Grades 6-8
2603	Grades 9-12

1. Each competitor qualifies for a 2023 Education Competitions T-shirt (maximum 1 per year) and a complimentary admission ticket to the State Fair (maximum of 1 per day of competition).
2. In honor of our state, the focus of all social studies tests again this year will be Nebraska.
  - Grades 3-5: Nebraska history and geography (perhaps with a little US geography)
  - Grades 6-8: Nebraska history (perhaps with a little US history)
  - Grades 9-12: Nebraska historical personalities in art, literature, entertainment, Nebraska History, Nebraska state and federal office holders, and current political, social, and economic issues
3. There is no limit on the number of entries from a school.
4. The competition will be held on Saturday, August 26 for Grades 9-12 and on Sunday, August 27 for Grades 3-8 in the Fonner Park Clubhouse. The test will begin at 9:30 am both days. Students should be in their seats no later than 9:25 am.

5. The test will be timed. Tests will be graded directly after the competition. The test key answers will be the only answers considered. Rankings beyond 5<sup>th</sup> place will not be disclosed. Awards will be presented at the awards ceremony at the end of the day. Tests will not be returned.

### **Division 3327: Spelling Competition**

#### Class

- 2701 Grades 3-5  
2702 Grades 6-8  
2703 Grades 9-12

1. Each competitor qualifies for a 2023 Education Competitions T-shirt (maximum 1 per year) and a complimentary admission ticket to the State Fair (maximum of 1 per day of competition).
2. The competition will be held on Saturday, August 26 for Grades 9-12 and on Sunday, August 27 for Grades 3-8 in the Fonner Park Clubhouse. The contest is scheduled to begin at 8:00 am each day. Please see that students are in their seats no later than 7:50 am.
3. The entire spelling contest will be in written form. All contestants in each division will spell the same words.
4. Contestants will spell five rounds with 10 words in each round with the fifth round being used as a tie-breaker.
5. Print all words plainly. Dot all l's, cross all t's, close all o's and a's. Rather than erase a word to change the spelling just draw one line through the word and print the word with the amended spelling.
6. Do not capitalize any word. There will not be any proper nouns in the word lists. If a word is capitalized, it will be counted as misspelled.
7. At the end of each round the enunciator will repeat words for that round if requested.
8. Test sheets will not be returned at any time. The decisions of the judges are final. Rankings beyond 5<sup>th</sup> place will not be disclosed.

### **Division 3328: State Float Competition**

#### Class

- 2801 Grades K-2  
2802 Grades 3-12

1. The entry is to be a student-designed diorama featuring a state of his/her choice.
2. The float is to be made from a box such as a shoe box, pizza box, boot box, or another cardboard box. The box can be painted, covered with fabric, or covered with paper such as wrapping paper, poster paper, tissue paper, wallpaper, maps, newspaper, or magazine pages.
3. Drawings, pictures, or other items can be used to decorate the float.
4. Legos, plastic animals and/or plants, seeds, or other non-perishable items can be added to the float.
5. Floats should include the following:
  - State name, flower, bird, capital, tree, flag, and nickname
  - Day of Statehood
  - Large cities
  - Landmarks and tourist attractions
  - At least one famous person
  - Something the state is famous for
  - Map of the state
  - Anything else you would like to include
6. For ideas check out "State Float" on Pinterest or other online sites. Three sites with multiple examples are:
  - <https://www.pinterest.com/bmortfish/state-float-projects/?lp=true>
  - <http://www.pennsburyisd.org/StateFloats.aspx>
  - <http://mapleshade.eastlongmeadowma.gov/state-floats.html>
7. Parents and older siblings are welcome to help younger students with the float but if a student receives help include a statement of who helped and what they did.
8. Be creative! Every float will be different, and the sky is the limit.
9. Judging will be based on the following:
  - Neatness
  - Information included

- Viewer interest
- Completeness
- Creativity
- Overall effect

10. Each school may enter any number of state floats, but only one per student.

### **Division 3329: Story Board Competition**

Class

- 2901 Grades K-5  
2902 Grades 6-12

1. Entry will consist of a book review presented on a tri-fold display board to encourage viewers to read the book.
2. The bold italic headings are required. The other categories are optional. Feel free to add other headings.
  - ***Title***
  - ***Author***
  - ***Summary***
  - ***Publisher***
  - ***Setting***
  - ***Characters***
  - Conflict and Solution
  - Tone
  - Fiction or Non-fiction
  - Point of view
3. Include illustrations which may be photographs, clipart, or hand drawn.
4. Objects relating to the story may also be included but whatever is included should be able to remain with the display throughout the fair. Do not include anything valuable that needs to be removed and stored after judging.
5. The student's name, grade, and school must be on the front side of the display.
6. Judging will be based on:
  - Neatness
  - Completeness
  - Viewer interest
  - Writing skills
  - Creativity
  - Overall Effect

### **Division 3330: Wall Art Competition – A “NEBRASKALand” Competition**

Class

- 3001 Grades K-2  
3002 Grades 3-5  
3003 Grades 6-8  
3004 Grades 9-12

1. This year there is NO theme for wall art. A photographic print is not acceptable. Photographs should be entered under “Photography” in the Know Nebraska category described on page 17. No food items that may spoil are allowed.
2. Judging Criteria:
  - Choice of subject
  - Craftsmanship
  - Use of elements – line, shape, color, texture
  - Use of principles – contrast, balance, etc.
  - Creativity – flexibility, uniqueness
  - Expression – content (theme, idea, etc.)
3. Projects must be submitted on a full sheet or half a sheet of 22”x28” poster board and grouped in the appropriate divisions as stated above. Schools may enter as many poster boards as they wish. Artwork received that is not properly grouped or mounted on poster boards will not be displayed.

4. Since poster boards will be hung for display weight must be kept to a minimum. If artwork is too heavy to mount on a poster board enter it as 3-D Art. Teachers may place more than one picture or art project on a poster board if in the same division. Only one side of the poster board may contain entries.
5. Label artwork with the student's name, grade, and school on the front of the poster board. Punch holes according to the directions on page 30.

### **Division 3331: Warmth for Veterans Competition**

Class

3101 Grades K-12 – quilt, afghan, or other warmth donation

1. Each student may have any number of entries.
2. Quilts must be made to donate to a veteran or veteran's group. The quilt can be any size from lap robe to throw to bed size. Any type of fabric is acceptable. The quilt may be pieced, appliqued, embroidered, or printed. It may be hand-quilted, machine-quilted, or tied. Patriotic colors are recommended.
3. Afghans may be crocheted or knitted and can be any size. Patriotic colors are suggested, but not required.
4. Other warmth donations can be items such as hand-crocheted or hand knitted scarf, hats, mittens, slippers, sweaters, or shawls, machine-sewn items such as a pillow, pillowcase, neck warmer, or patriotic wall or table decorations.
5. All items must be accompanied by a 3x5 or 4x6 card stating what veteran or what veteran organization the item is being donated to or stating that the item will be donated to the State Fair to donate to a veteran or veteran's group.

### **Division 3332: Wax Museum Competition**

Class

3201 Grades K-2

3202 Grades 3-5

1. Wax Museum Competition is when students choose a person from history or present day and do a biography on this person and then a presentation in class about the life of that person. For reference google Wax Museum school project.
2. Entry must be on a 22" x 28" poster board and you can either include the students costume or include a picture of the student in costumer during their presentation.
3. Place the student's name, grade, and school on the front of the display board.

### **Division 3333: Zen Coloring Competition**

Class

3301 Grades K-2

3302 Grades 3-5

3303 Grades 6-8

3304 Grades 9-12

1. Students are to select an age-appropriate zen-type coloring page no larger than 9"x12".
2. Any medium may be used to color the design. Please be aware that if you choose to use a marker make sure that you do not use a marker on the back side of the paper because the marker may bleed through to the front detracting from your finished masterpiece.
3. Entries will be judged on color choice, neatness, and overall quality.
4. Each student may have four (4) entries in this category. There is no limit to the number of entries from a school.
5. All entries must be mounted by division on either a half sheet or a full sheet of 22"x28" poster board with four holes punched for hanging. See page 30 for punching directions. Entries may be framed with colored paper before mounting on poster board.

## **Sweepstakes**

The Education Department of the Nebraska State Fair will have both individual and school sweepstakes competitions.

1. The Individual Sweepstakes competition will be divided into the following divisions:
  - Grades K-2
  - Grades 3-5
  - Grades 6-8
  - Grades 9-12
2. Six students in each division will be awarded trophies. In addition, the 1<sup>st</sup> place student in each division will receive a \$200 scholarship, the 2<sup>nd</sup> place student in each division will receive a \$150 scholarship, and the 3<sup>rd</sup> place student in each division will receive a \$100 scholarship. These scholarships will be paid to the student after the conclusion of the fair. Checks will be mailed to the sponsor listed on the entry form. For students who have graduated please email your mailing address to [nsfeducationdept@gmail.com](mailto:nsfeducationdept@gmail.com)
3. The trophy winners will be determined by the total number of points the students earn.
  - 1<sup>st</sup> Place – 5 points
  - 2<sup>nd</sup> Place – 3 points
  - 3<sup>rd</sup> Place – 1 point
4. Students will be awarded points for all static entries and for all live competitions they compete in.
5. The School Sweepstakes will be divided into the following divisions:
  - Elementary School – Grades K-5
  - Middle School – Grades 6-8
  - High School – Grades 9-12
6. School trophy winners (three in each division) are determined by adding the points each student in the division in the school earn

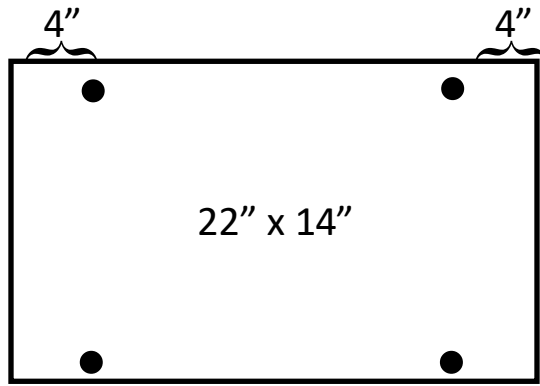
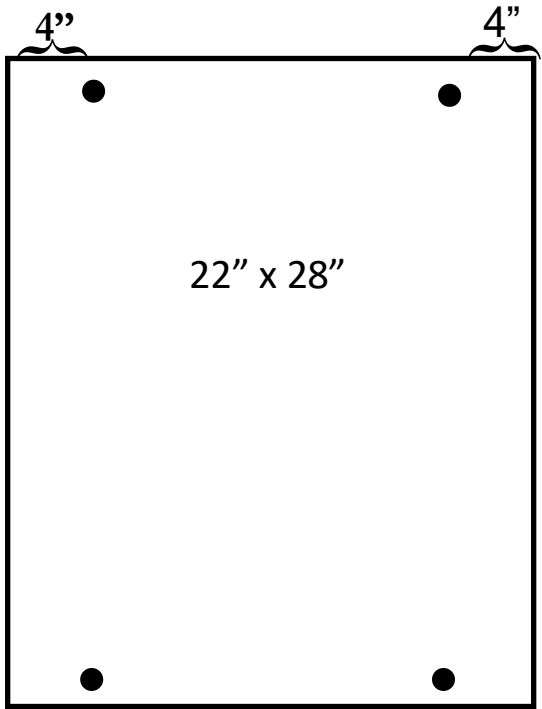
## Hole Punching Instructions

Because much of the poster board currently available is rather flimsy holes need to be punched further in than in the corners to keep the poster from curving in in the center while hanging on display.

Size 22"x28" and 22"x14" holes should be 4" from the left and right sides approximately  $\frac{3}{4}$ " from the top and bottom. Both top holes must be the same distance from the top edge of the poster board for the poster to hang straight.

Size 28"x22" holes should be 7" from the left and right sides and approximately  $\frac{3}{4}$ " from the top and bottom.

Size 14"x22" holes should be 2" from the left and right sides and approximately  $\frac{3}{4}$ " from the top and bottom.



2"

2"

